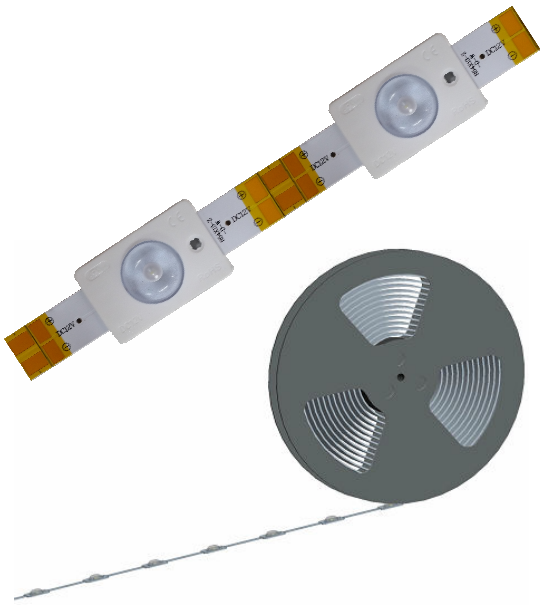


LED STRIP MODULE
PRODUCT SERIES DATASHEET



LED Strip Module



88Light LED Strip Module is ideal for Backlighting, Decoration and Advertising.

The Modules can be mounted easily in any shape. High brightness, Low power, Low voltage and low heat ensure high security.

88Light LED Strip Module is widely used in Shopping Mall, Parking lots, Bus, Bank, Living Room, Cafe and so on.

Applications:



PRODUCT FEATURES

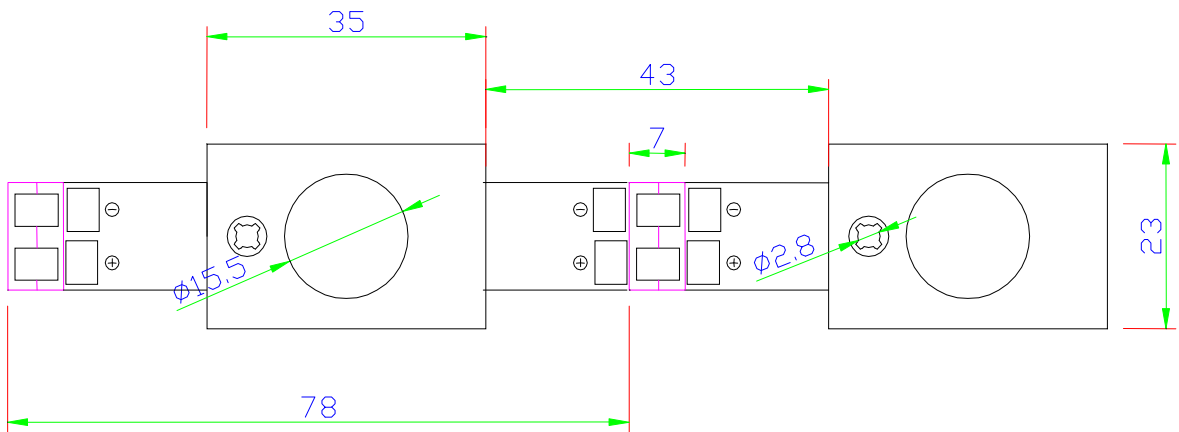
- Lightweight and slim, suitable for small spaces.
- Flexible, easy to bend for a variety of shapes.
- High quality single color, high brightness, low luminance decay SMD Chip.
- A variety of colors to choose.
- It is trimmable every module and dimmable.
- 12Vdc low voltage, low power consumption, low heat, higher security.
- Long lifespan with free maintenance.
- Allow frequent on-off.
- Each group can be controlled independently.
- Working temperature: -20 ~ +50°C



LED STRIP MODULE
PRODUCT SERIES DATASHEET



PRODUCT DIAGRAM

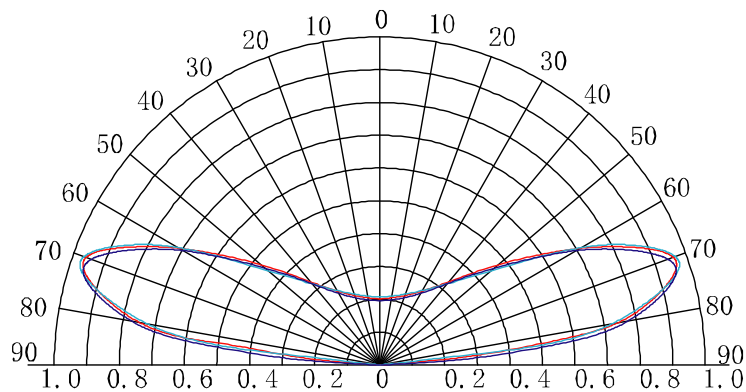


Note 1: The dimensions unit of the drawing is mm, and the pink line is cut able.

Product Name ²	L	W	H
88L-MODHP-GA3	35mm	23mm	7mm

Note 2: The dimensions of the modules don't change with the LED color.

PRODUCT LUMINOUS INTENSIT DISTRIBUTION DIAGRAM



LED STRIP MODULE
PRODUCT SERIES DATASHEET



TECHNICAL DATA

Electrical data ³:

Product Name	Input Voltage	Base	Chip	Dimmable [Y/N]	LED Qty [LED/pcs]	LED Qty [LED/group]	IP Grade
88L-MODHP-GA3	DC12V	FPC Pads	2835/3535	Y(PWM)	1	1	IP65

Note 3: Absolute ratings @ 25°C

Optical Characteristics ^{3, 4, 5}:

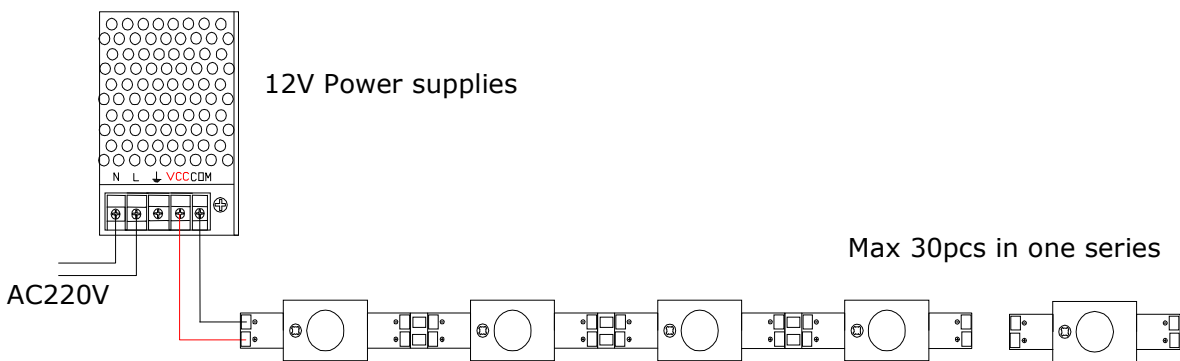
Part number	Color	CCT	Lumen	CRI	Power	Beam Angle [°]
88L-MODHP-GA3	Cool white	6500K	55	>75	0.72w	170

Note 3: Absolute ratings @ 25°C

Note 4: Tolerance of measurement of luminous intensity±5%.

Note 5: Tolerance of measurement of CCT intensity ±500K.

PRODUCT INSTALLATION

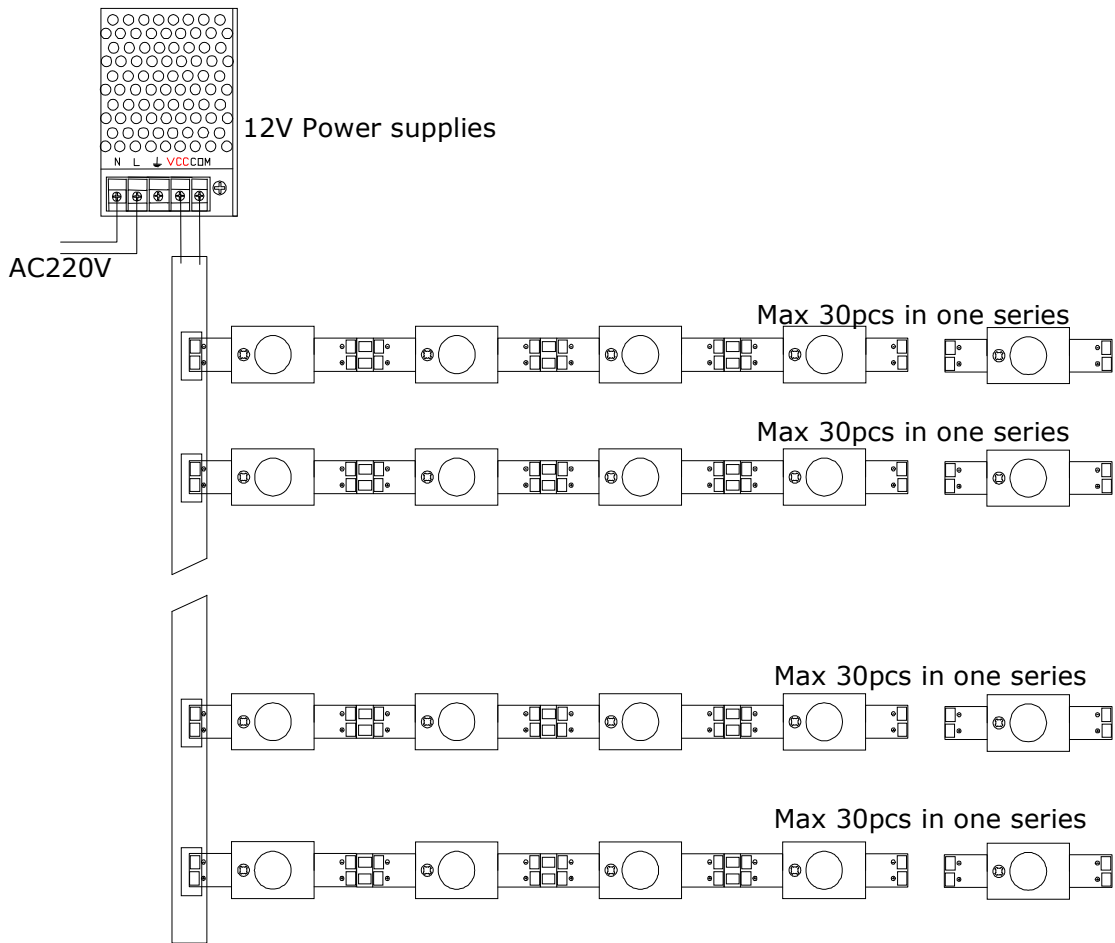


Note 6: Please notice that, one roll modules is 200pcs, but when installing, the max series qty is 30pcs.

LED STRIP MODULE
PRODUCT SERIES DATASHEET



PRODUCT INSTALLATION

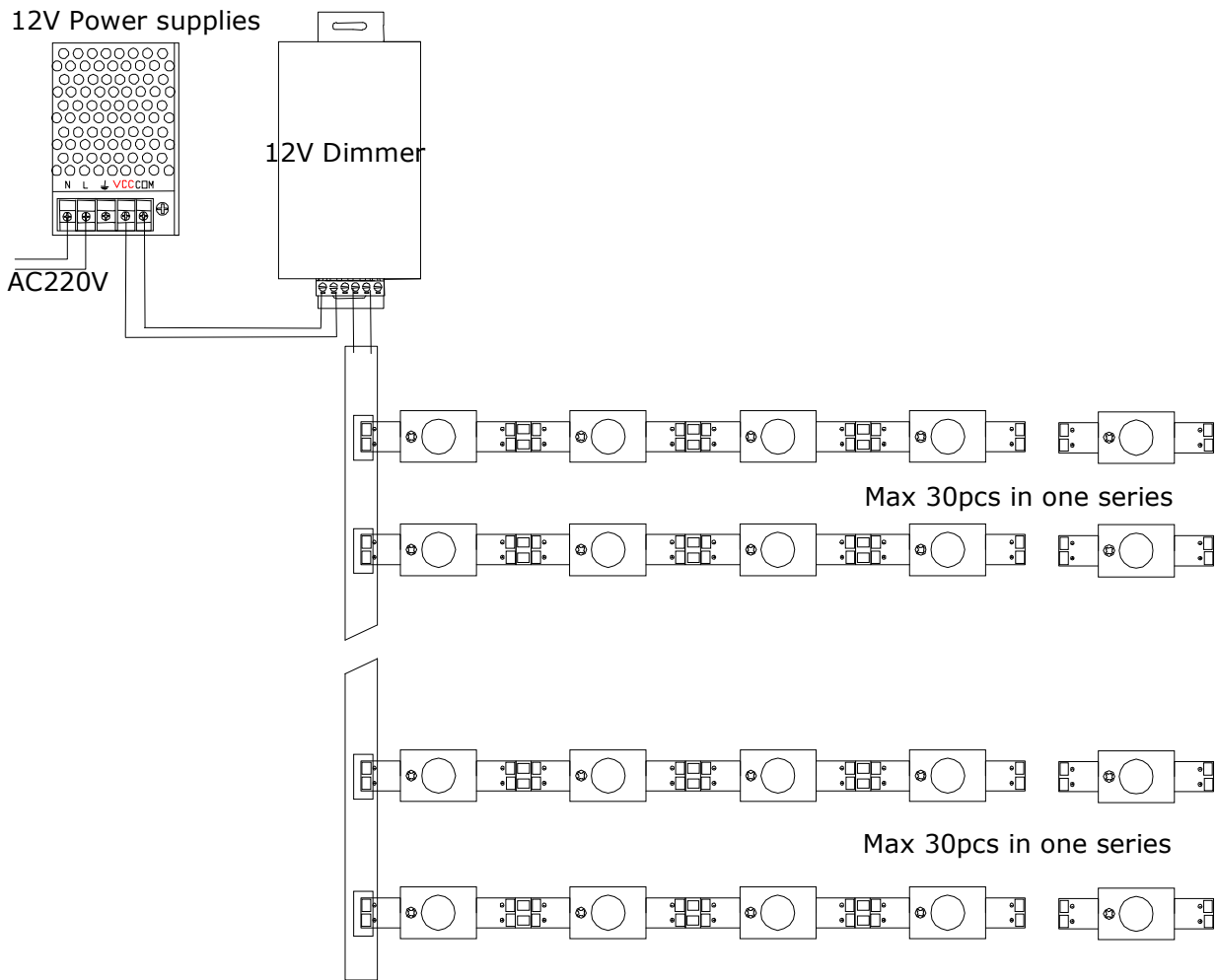


Note 7: when connect the strip modules in parallel, please use enough wires with large current, otherwise there will be large voltage drop and the modules will have different brightness between the start and end.

LED STRIP MODULE
PRODUCT SERIES DATASHEET



PRODUCT INSTALLATION



Note 8: when controller or dimmer used in the application, please use large power controller or dimmer.

LED STRIP MODULE PRODUCT SERIES DATASHEET



SAFETY

1. **Always** consult a qualified, licensed electrician prior to the installation of this product.
2. **Always** pre-test your strip light assembly by making all connections and connecting the strip to a power supply and ensure that all components are joined properly before they are installed.
3. Please connect correct power supplier to the controller and LED lamps follow the instructions, incorrect input voltage will damage the controller or strips.
4. Please notice the max wire length between controllers and LED lamps.
5. It is recommended that adequate airflow and heat sink be taken into account in the application and installation of this product. Improper thermal management may lead to premature failure.
6. Exceeding the operating temperature values may damage LED chips by reducing the total lamp life and lumen output, and inversely impact color consistency.
7. Avoid voltage drops by using a dedicated line for each maximum power consumption line.
8. This product should only be cut at "cut points," if it's cut at the wrong place, then some LED will not work.
9. "Voltage drop" is a gradual lessening of power through a wire over a long distance. The farther the light is from the power source, the more voltage drop will occur. Voltage drop becomes a significant factor in any LED light application when the distance between the lights and the power source is greater than 15 feet. Consult a licensed electrician and an online voltage drop calculator to learn what gauge wire will work best for your configuration.
10. The manufacturer rates each power supply for maximum power output at optimum thermal and voltage conditions. As with any power supply, true actual maximum continuous current output depends upon various environmental factors such as ambient temperature, line voltage fluctuations, and orientation that may affect heat dissipation. For optimum performance, make sure the load is between 50% and 80% of the total capacity of the power supply.
11. LED products are continuously being improved upon in ever-shortening manufacturing cycles. LED color temperature (kelvin), lumen output, and product appearance can change from order to order. Please note that variation in color temperature (kelvin) is commonly +/- 250k and brightness (lumens) is +/- 10%.

LED STRIP MODULE
PRODUCT SERIES DATASHEET



PACKING



Product Name	Pcs/roll	Roll/Carton	Carton dimensions	Gross Weight	Net Weight
88L-MODHP-GA3	200/Box	10	38×36×37cm	14.7Kg	9.5Kg

Note 9: the default package information is only for reference.

OTHER 88Light PRODUCTS:

For more information about 88Light products, or to use our online energy saving calculation software please visit our website

www.88light.com

DISCLAIMER:

88Light reserves the right to modify the design of our products as part of the company's program of continuous improvement. 88Light cannot guarantee to match existing installed product for subsequent orders or replace the product exactly to match the product you are replacing in product appearance, color, or brightness. Specifications are subject to change without notice.